

HIG-8IN

- Extension device for the HAKEL ISOLGUARD insulation monitoring system.
- The module allows to complete the control of a (typically hospital) IT system with any signalling using 8 digital inputs and 1 output switching contact.
- HIG-8IN can be used to monitor, for example, the status of UPS or automatic transfer switches and to read the pressing of alarm or panic buttons.
- Input statuses sensed by HIG-8IN are signalled to the HAKEL ISOLGUARD MDS-D remote signalling module. HIG-8IN setting is also done via the MDS-D module.
- RS485 data bus with ISOLGUARD protocol is used for data transfer between HIG-8IN and MDS-D. Up to 10 HIG-8IN modules can be connected to one RS485 bus at a time.
- HIG-8IN is used in combination with HAKEL ISOLGUARD MDS-D remote signalling modules.

Type		HIG-8IN
Nominal supply voltage DC	U_s	24 V
Supply voltage range		18 ÷ 28 V
Power consumption	P	1.5 VA
Number of digital inputs		8
Number of digital outputs		1
Digital input operating range	U_i	0 ÷ 36 V DC
Electrical strength against internal circuits		3 800 V
Speed of logic response to opening/closing	t_i	< 0.5 s
Input power consumption in switched state	I_i	Max. 8 mA / 24 V
Supported module of distant signalisation (MDS)		MDS-D
Communication interface for user		RS485 bus, USB
Communication protocol		ISOLGUARD
Housing material		Polyamid PA6, UL94 V-0
Degree of protection		IP00
Operating temperature	θ	-10 ÷ 60 °C
Recommended cross-section of connected conductors	S	0.5 ÷ 1 mm ²
Installation		On DIN rail 35 mm
Tightening moment		0,2 Nm
Recommended back-up fuse		6 A/gG
Operation type		Permanent
Operating position		Any

Designed according to standards

Equipment for testing, measuring or monitoring of protective measures		IEC 61557-1:2007
Electrical equipment for measurement, control and laboratory use – EMC requirements		IEC 61326-2-4:2012
Electromagnetic compatibility (EMC) – Part 6-2: Generic standards – Immunity standard for industrial environments		IEC 61000-6-2:2016
Electromagnetic compatibility (EMC) – Part 6-3: Generic standards – Emission standard for equipment in residential environments		IEC 61000-6-3:2020
Insulation coordination for equipment within low-voltage systems		IEC 60664-1:2007

Ordering, packaging and additional data

Mass	m	112 g
Mass (including the packaging)	m	156 g
Packaging dimensions (H x W x D)		71 x 177 x 106 mm
Packaging value	V	1.33 dm ³
Customs tariff no.		90303370
EAN code		8590681119334
Art. number		70 960



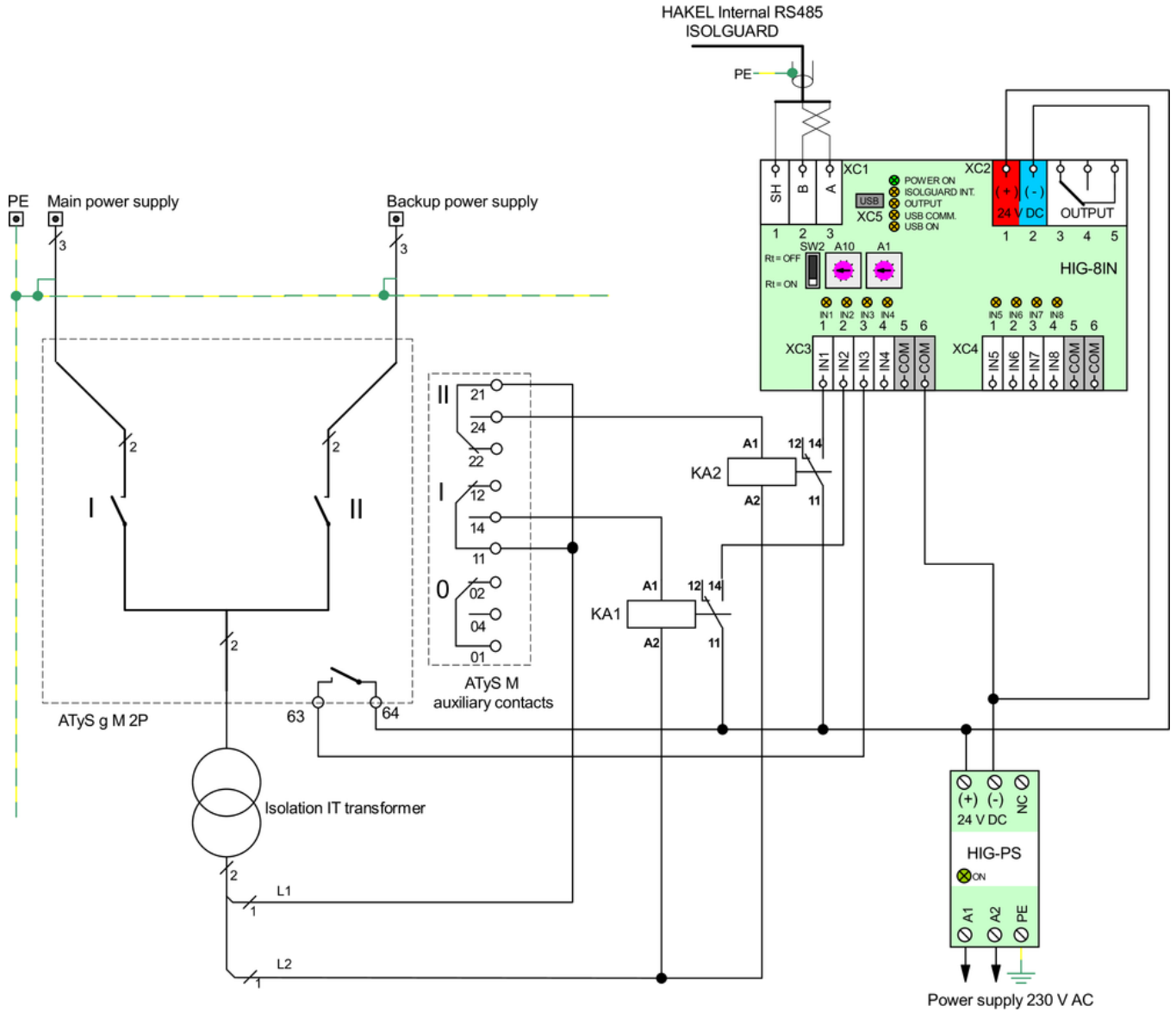
The link in the QR code leads to the online presentation of the **HIG-8IN**.

There, in addition to the always up-to-date data sheet, you will also find all diagrams and drawings, declarations of conformity, or 2D or 3D models and other necessary materials. For more information, visit www.hakel.com



8590681119334

Application wiring diagram (installation) 1/2



Application wiring diagram (installation) 2/2

